

## 830.050.075 S BRANCH 87.5°

-Pipe diameter: Ø75mm. Branch diameter: Ø50mm  
-Stainless steel: AISI316L/EN1.4404

### Product Codes

EAN: 5705499401639  
VVS Number: 160221373  
RSK Number: 1550304  
NRF Number: 2170813  
LVI Number: 0251955

### Specification

Angle (°): 87.5  
Length (mm): 139  
Material: AISI 316L  
Material (EN): EN 1.4404  
Outlet Diameter (mm): 75  
Type: Branches  
Weight (kg): 0,44

### Approvals



NO - 0692-16



SE - SITAC 4423/90-17



FR - DTA 14.1/12-1811\*V2 EuroPipe



AUS - WMKT00204 - 18B



DK - VA 2.12/19349-19

cUPC® US - IAPMO File No.3247-19A



DE - LGA Certificate 57214035 a

MARINE - R4547 NATO CODIFICATION SYSTEM

Bureau Veritas, 02375-H0

Lloyds Register 92-00041 (E7)

RU - 0212322 Pipes-18

ABS - 18-LD1716353-PDA

DNVGL - TAP0000023-rev2

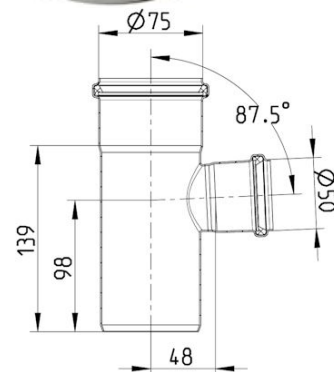
PL - Hygienic Certificate - All products

RINA -MAC285119XG EuroPipe

RS - 19.10097.262

Achilles Certificate - 25316-20

KR - Type Approval CPH42135-PE001



# BLÜCHER®

A WATTS Brand

# Specification Sheet

## Approvals

UR - 1055745

